

JP3 - VCO2 voltage select
 1-2 = ROS-2700-1819
 2-3 = ROS-2500

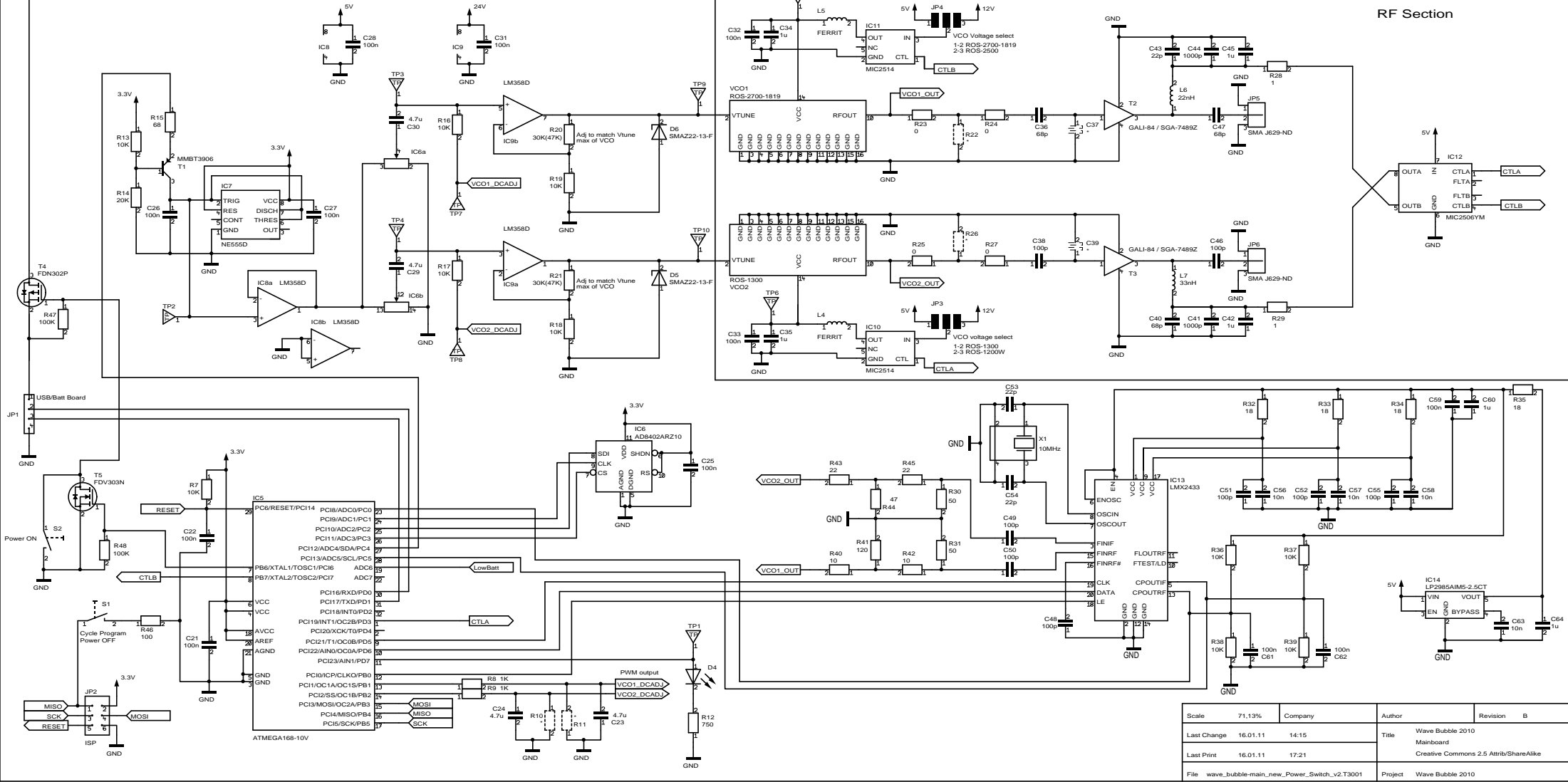
JP4 - VCO1 voltage select
 1-2 = ROS-1300
 2-3 = ROS-1200

JP7 - 3.3V Supply select
 1-2 = supply by VIN
 2-3 = supply by 5V

Variant: Wave Bubble 2010

Variation in component values

	GALI-84	SGA7489Z	ROS-1200	ROS-2500	ROS-1300	ROS-2700
R10	Not used	Not used				
R11	Not used	Not used				
R20				33K	30K	
R21						30K
R22				68K	100	Not used
R23, R24				12	12	0
R25, R27				22	0	
R26				47	Not used	
R28	1	15				
R29	1	15				
R43, R45				27	22	
R40, R42					18	10
R41					56	120
R44				33		47
C37	Not used	Not used	Not used	Not used	Not used	Not used
C39	Not used	Not used	Not used	Not used	Not used	Not used
D5			SMAZ22-13-F		SMAZ22-13-F	
D6			SMAZ12-13-F		SMAZ22-13-F	



Scale	71,13%	Company		Author	Wave Bubble 2010	Revision	B
Last Change	16.01.11	14:15		Title	Wave Bubble 2010 Mainboard		
Last Print	16.01.11	17:21			Creative Commons 2.5 Attrib/ShareAlike		
File	wave_bubble-main_new_Power_Switch_v2.T3001		Project	Wave Bubble 2010			